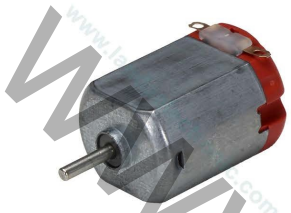
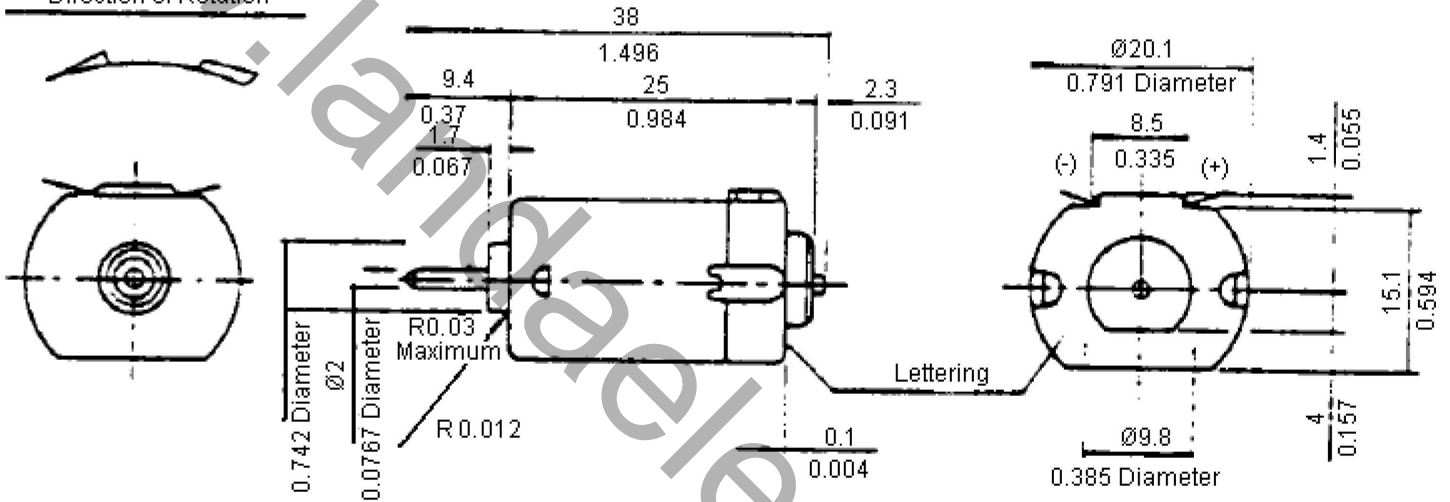


# MOTOR DC



Direction of Rotation



Dimensions : Millimetres (Inches)

## Specification Table

Model	Operating Range	Approximately Weight
MM10	1.5 - 3 V	17 g

Nominal Constant V	No Load		At Maximum Efficiency					Stall Torque g-cm
	Speed rpm	Current A	Speed rpm	Current A	Torque g-cm	Output W	Efficiency %	
1.5 V	12,000	0.32	6,500	1	6.2	0.41	33.9	24
3 V	24,000	0.64	12,000	2	10	1.23	35.6	44