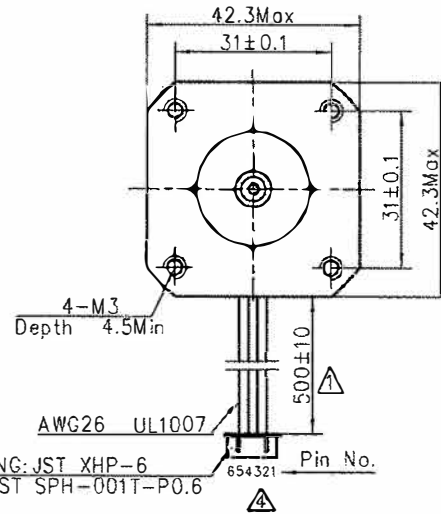
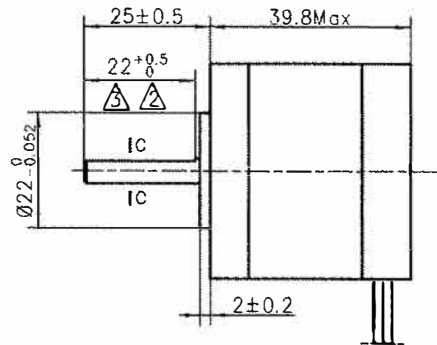
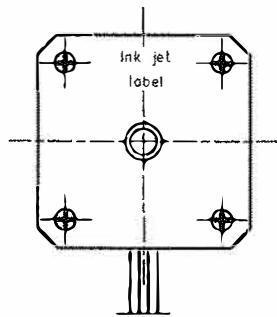


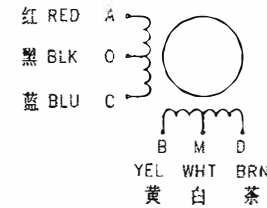
4611110010376



HOUSING: JST XHP-6
TERMINAL: JST SPH-001T-P0.6

接线图

Wiring Diagram



连接器针位 vs. 引线颜色

Pin No. vs. Lead Wire Colour

Pin No.	颜色 Colour
1	白 WHT
2	黑 BLK
3	黄 YEL
4	茶 BRN
5	红 RED
6	蓝 BLUE

励磁顺序 vs. 旋转方向

Exciting Sequence vs. Direction of Rotation

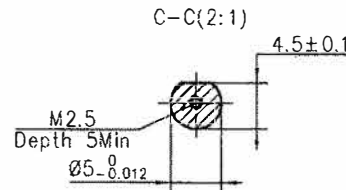
STEP	A	B	C	D	0	M	ccw
1	-	-	-	-	+	+	
2	-	-	-	-	+	+	
3	-	-	-	-	+	+	
4	-	-	-	-	+	+	

从安装面看为顺时针方向

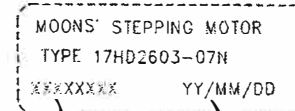
Clockwise view from mounting side

规格 Specifications

1. Number of Phase	4
2. 步距角 Step Angle	1.8°
3. 额定电压 Rated Voltage	12V DC
4. 额定电流 Rated Current	0.4Amp
5. 保持力矩 Holding Torque	0.4 N.m Min. (Two phase on/rated current)
6. 相电阻 Phase Resistance	30ohm ± 15% (20°C)
7. 相电感 Phase Inductance	23mH ± 20% (1kHz 1V rms)
8. 转子惯量 Rotor Inertia	57g.cm ²
9. 电机重量 Motor Weight	0.28KG
10. 绝缘等级 Insulation Class	B(130°C)



铭牌 Label Detail



Work Order Date Format
加工单号 日期格式



REV.	版本记录 REVISION RECORD	DATE	UNLESS OTHERWISE SPECIFIED	NAMES	SIGNATURE	DATE	Type: 17HD2603-07N	Rev.E	SCALE 1:1	Sheet 1 of 1
E	添加接插件	12.11.08	Unit: mm 第一角画法 FIRST ANGLE METHOD	批准 Approve	[Signature]	11.12	MOONS' Hybrid Stepping Motor Shanghai Moons' Electric Co., Ltd.	This document is released for information only. Its reproduction in whole or in part or its dissemination to third parties is prohibited. All trademarks and registered trademarks appearing on this document are the property of their respective owners.		
D	扁丝长19, 轴长22	2012.09.18	未注线性与角度尺寸公差 Tolerances for linear and angular dimensions without individual tolerances indications GB/T 1804-m eqv ISO 2768-1:m	标准化 Standard	[Signature]	11.09				
C	扁丝长16	2012.09.07	未注形状与位置尺寸公差 Geometrical tolerances for features without individual tolerances indications GB/T 1184-K eqv ISO 2768-2:K	工艺 Technology	[Signature]	11.15				
B	线束	2012.07.13		审核 Check	[Signature]	11.15				
A	原始版本 Original revision	2012.07.09		设计 Design	樊峰涛	2012.11.08				