

SOLENOID VALVE

2C SERIES DRINKING WATER SOLENOID VALVE

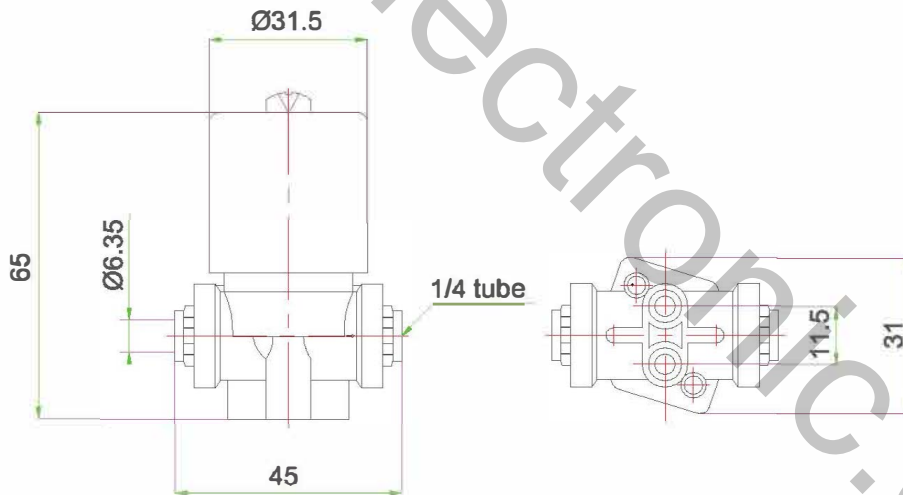


2C - 07

Specification

Model	2C-07
Type	2/2-way N.C.
Acting	Direct
Fluid	Air / Water
Temperature	0-100 °C
Surround Temp.	-10°C + 40°C
Orifice	2.5 mm
CV	0.21
Working Pressure	0 - 8 bar
Max Pressure	10 bar
Connector	1/4" Quick Connect
Power	5.5W
Voltage	AC220V 110V 50HZ DC24V 12V
Voltage Range	±10%
Insulation	B
Duty	100%ED
Life	100000 times

Drawing



Material

Body	POM White
Seal	EPDM
Tube	SUS304
Plug	Magnet SUS
Spring	SUS304