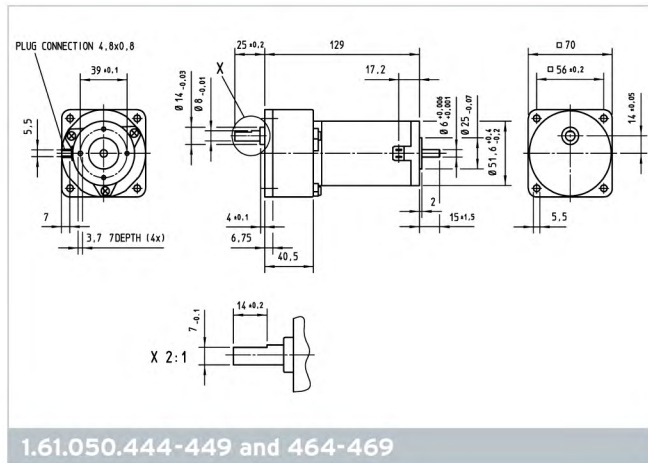
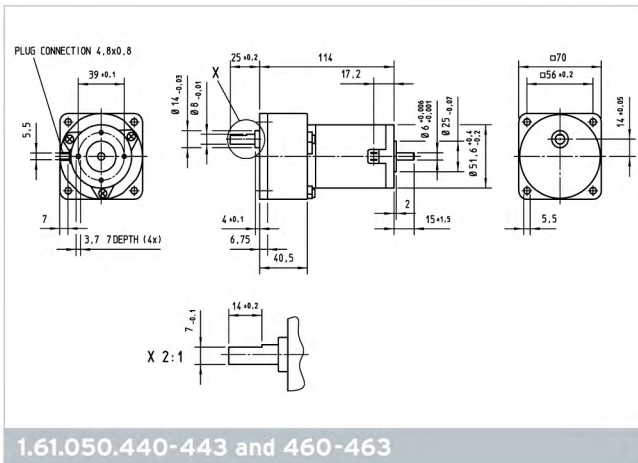


DC Gear Motor

1.61.050.XXX

Design	
Weight	1200 g
Gear housing	Zinc die-cast
Commutator	Copper / 12-segments
RFI protection	-
Insulation class	Winding H, otherwise A
Protection class	IP40
Commutation	Graphite/copper-carbon brushes
Armature	sintered, straight slot
Magnet system	Permanent magnets, 2-pole
Bearings	2 sintered bronze bearings
Motor housing	Steel, corrosion protected
Motor end shields	on both sides zinc die-cast
Spur gear	Metal and plastic gears
Axial play output shaft	0.05 - 0.6 mm



Customized versions

The following modifications are available upon request:

- ▶ Encoder or incremental encoder
- ▶ External RFI board
- ▶ Speed adjustment through winding change
- ▶ Lead sets
- ▶ Shaft length
- ▶ Shaft configuration (flat, grooved, etc.)
- ▶ Drive configuration
- ▶ Adapters and mounting plates

● To customize motors, please contact with us or our agent.

Type 1.61.050.XXX

V =	XXX	Characteristics			max. Torque*	Terminal	Stages	Gear
		Rated current	Rated torque	Rated speed		resistance		ratio
		I_N / A	T_N / mNm	n_N / rpm	T_{max} / mNm	R_a / Ω		
12 V	440	3.300	400	460	560	0.7	2	6.3
	441	3.500	800	240	1120	0.7	2	12.0
	442	3.500	1500	116	2100	0.7	3	24.7
	443	3.600	2900	64	4060	0.7	4	46.7
	444	2.400	900	92	1260	1.9	3	24.7
	445	2.500	1800	48	2520	1.9	3	46.7
	446	2.500	3300	24	4620	1.9	4	96.5
	447	1.900	4000	14	5600	1.9	4	182.7
	448	1.500	5000	7.2	7000	1.9	5	377.0
	449	1.200	5000	4.0	7000	1.9	5	714.0
24 V	460	1.650	400	460	560	2.8	2	6.3
	461	1.750	800	240	1120	2.8	2	12.0
	462	1.750	1500	116	2100	2.8	3	24.7
	463	1.800	2900	64	4060	2.8	4	46.7
	464	1.200	900	92	1260	7.6	3	24.7
	465	1.250	1800	48	2520	7.6	3	46.7
	466	1.250	3300	24	4620	7.6	4	96.5
	467	0.950	4000	14	5600	7.6	4	182.7
	468	0.750	5000	7.2	7000	7.6	5	377.0
	469	0.600	5000	4.0	7000	7.6	5	714.0

Operational conditions

Temperature range	T	°C	-10 - +70
Humidity at room temperature	rel. F.	%	15 - 55
No condensation		$g H_2O / m^3$	2 - 25
Axial force	F_A	N	30
Radial force, 5 mm from mounting surface	F_R	N	100
Operating mode at T_N			S5

* at 25° C