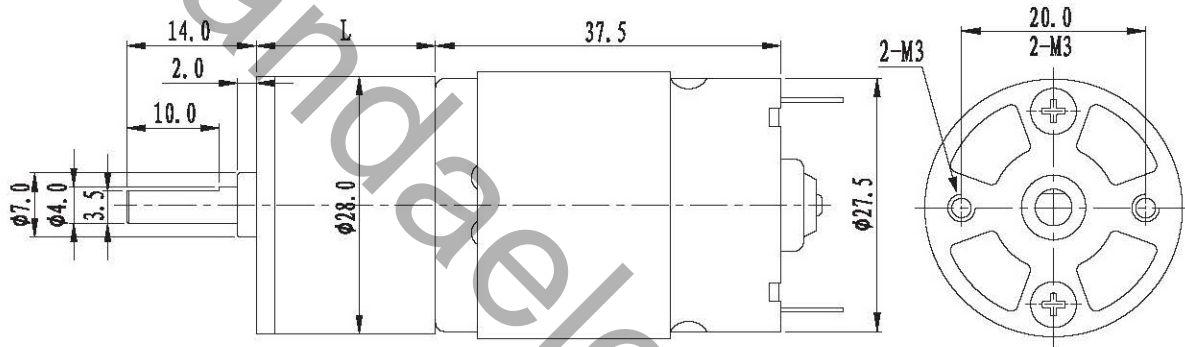


ZGA28RO(A4049)



Dimension(mm)



Specifications:

DC Motor	Ratio	1/5.6	1/13	1/26	1/31	1/37.8	1/62	1/73.8	1/147	1/174	1/249	1/295	1/348	1/412	1/824	1/974
ZYTD-385 (12V-5000R)	No load(r/min)	880	380	190	160	130	80	67	34	29	20	17	14	12	6	5
	On load (r/min)	715	305	150	130	105	66	57	30	26	18	16	13	12	6	5
	Rated torque(kgf.cm)	0.25	0.55	1	1.2	1.3	2	2	2.5	2.5	3	3	3	3	3.5	3.5
ZYTD-385 (24V-5000R)	No load (r/min)	880	380	190	160	130	80	67	34	29	20	17	14	12	6	5
	On load (r/min)	700	300	150	125	100	66	57	30	26	18	16	13	12	6	5
	Rated torque(kgf.cm)	0.25	0.55	1	1.2	1.3	2	2	2.5	2.5	3	3	3	3	3.5	3.5
Direction	电源正极接 + 端子	CCW	CW	CCW		CW			CCW		CW			CCW		

Gearbox

Reduction Ratio	L	Stages	Allowable torque	
	mm		mN.m	kgf.cm
1/5.6	19.5	2	59	0.6
1/13	19.5	3	98	1
1/26~1/31	19.5	4	147	1.5
1/37.8~1/73.8	22.5	5	198	2
1/147~1/174	24.5	6	245	2.5
1/249~1/412	26.5	7	298	3
1/824~1/974	29.5	8	345	3.5