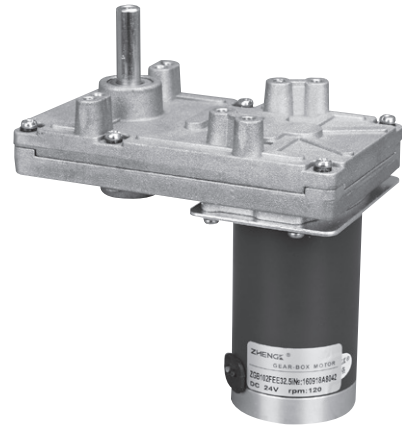
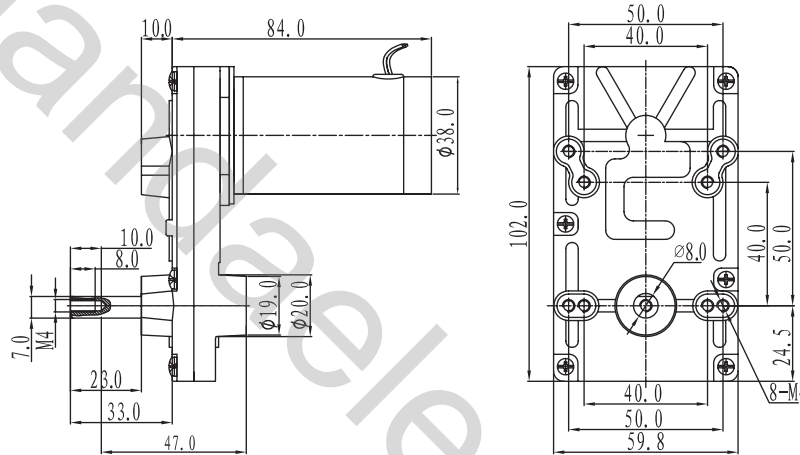


ZGB102FEE(A8042)



Dimension(mm)



Specifications

DC Motor	Ratio	1/16.4	1/32.5	1/76.5	1/102.5	1/109	1/127	1/218	1/227	1/490
ZYTD-38S-R (12V-3000R)	No load (r/min)	178	90	38	28	27	23	13	13	6
	On load (r/min)	150	76	32	24	22	19	12	11	6
	Rated torque (kgf.cm)	1.8	3.5	8.6	11.5	10	14.5	15	20	20
ZYTD-38S-R (24V-5000R)	No load (r/min)	305	155	65	49	46	40	23	22	10
	On load (r/min)	250	127	54	43	38	35	22	20	10
	Rated torque (kgf.cm)	3.2	6.5	15	15	17.5	15	15	20	20
Direction	电源正极接 + 端子	CW								

Gearbox

Reduction Ratio	L	Stages	Allowable torque	
	mm		mN.m	kgf.cm
1/16.4~1/218		3	1470	15
1/109 1/227~1/490		5	1960	20

★ Other specification can be customized.

- N20/30
- FF030
- RF130
- BLDC 1632
- FF130
- FF180
- RF500
- RF300
- RF310
- 094
- BLDC 2035
- 370
- 2418
- 2430
- 385
- 2838
- 395
- 30-C
- 32-C
- 40-C
- 32ZY13
- 32ZY25
- 520
- BLDC 520
- 380
- 555
- BLDC 3640
- 775
- 38S**
- BLDC 38S
- 45S
- BLDC 45S
- 50S
- BLDC 50S
- 60S
- BLDC 60S
- 80S
- 稳压器
- 同步电机
- 永磁直流电机
- 交流可逆电机