

1

2

3

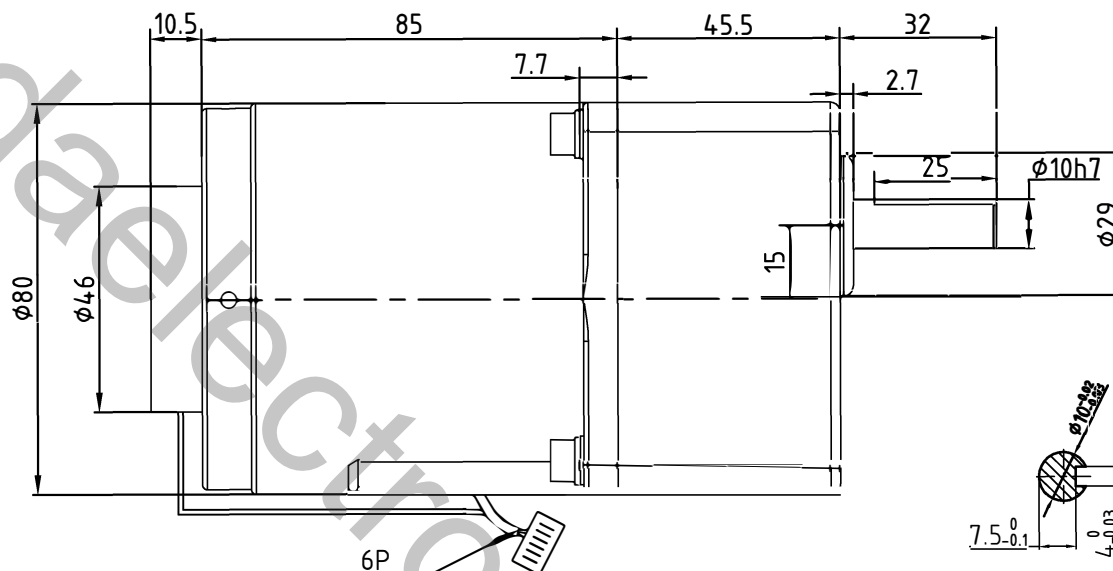
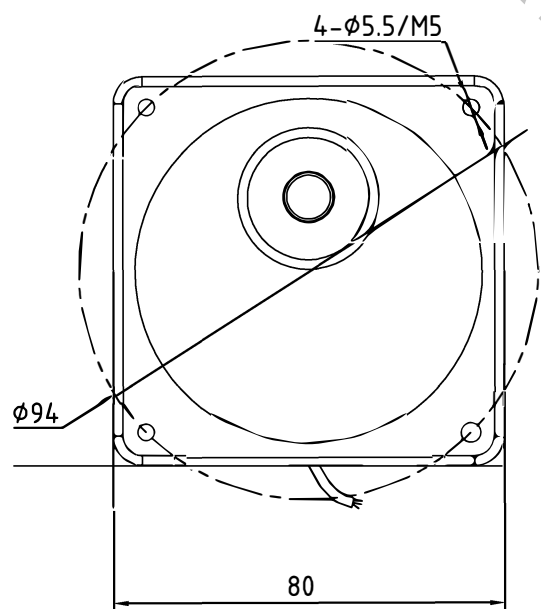
4

5

TOLERANCE TABLE

DIMENSION	0.5 ~ 3	3 ~ 6	6 ~ 30	30 ~ 120	120 ~ 400	400 ~ 1000	1000 ~ 2000
TOLERANCE	±0.05	±0.10	±0.20	±0.30	±0.50	±0.80	±1.20

ZONE	NOTE	DESCRIPTION	CHANGE BY	CHANGE DATE	APP



Fvnt
GEAR MOTOR

4IK25RGN-

