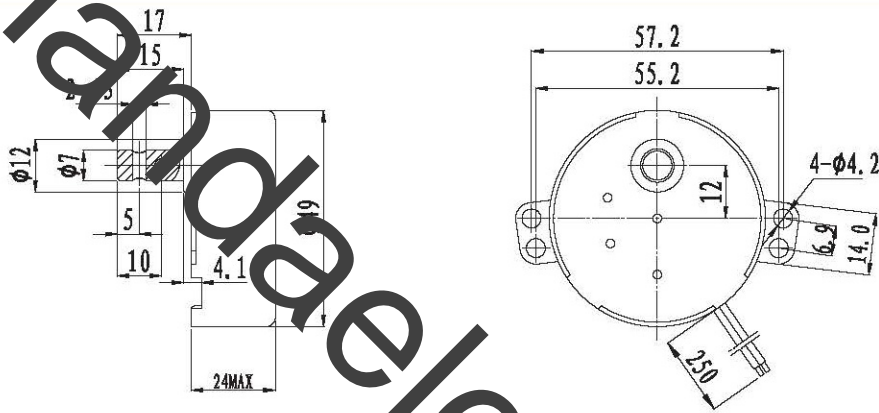


49TYZ AC Synchronous Gear Motor



Dimension (mm)



Working Conditions

Environment Temp.	-15 ~ +45° C
Humidity	15% ~ 90%RH
Working Volt.	85% ~ 110% of Nominal Volt.
Frequency	Nominal Frequency \pm 3%
Installation	Shaft keep horizontally or upward

Technical Data

Nominal Volt. (V)	220									
Nominal Frequency (HZ)	50									
Working Duty (S)	S1									
Capitor applicable (μ F)										
Input Power (W)	< 4									
Input Current (mA)	< 25									
Output speed (r/min)	1.5	3	5	8	10	15	20	25	30	50
Output torque (Kg/cm)	15	12	7	4	1.5	2.5	2	1.7	1.2	0.7
Direction	CW/CCW									
Insulation Class	E									
Dielectric Strength	1800V/S									
Temp.rising (K)	< 65									
Noise (dB)	< 45									

Note : If you need different power, or special desgin on shaft, please inquiry us.