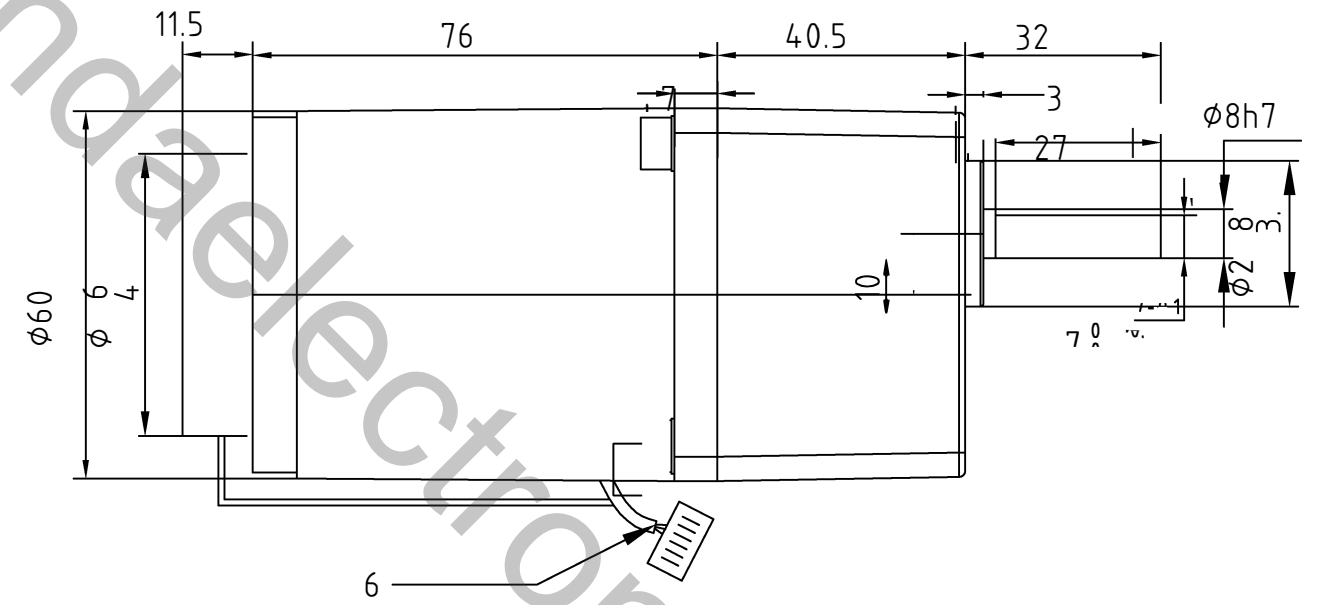
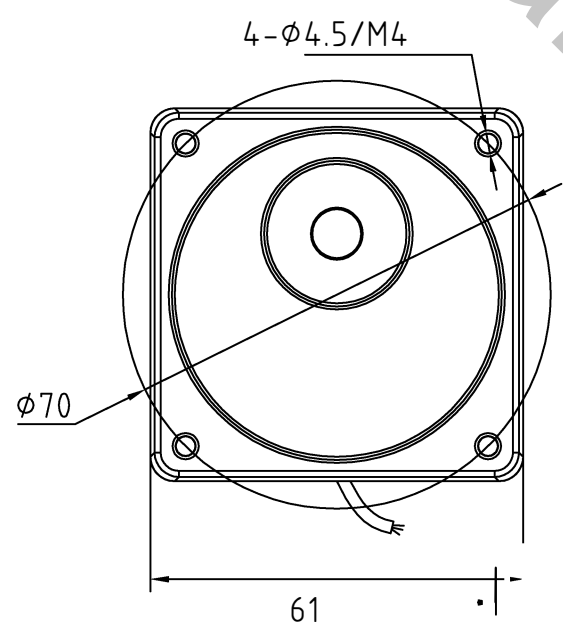


- TOLERANCE TABLE										
DIMENSION	0.5 3	3 6	6 30	30 120	120 400	400 1000	1000 2000	2000		
					±0.50	±0.80	±1.20			
TOLERANCE	±0.05	±0.10	±0.20	±0.30				CHANGE BY	CHANGE. DATE	APP



Fvnt
GEAR MOTOR

2IK6RGN-

