

DC Gear Motor

1.61.068.501

Design

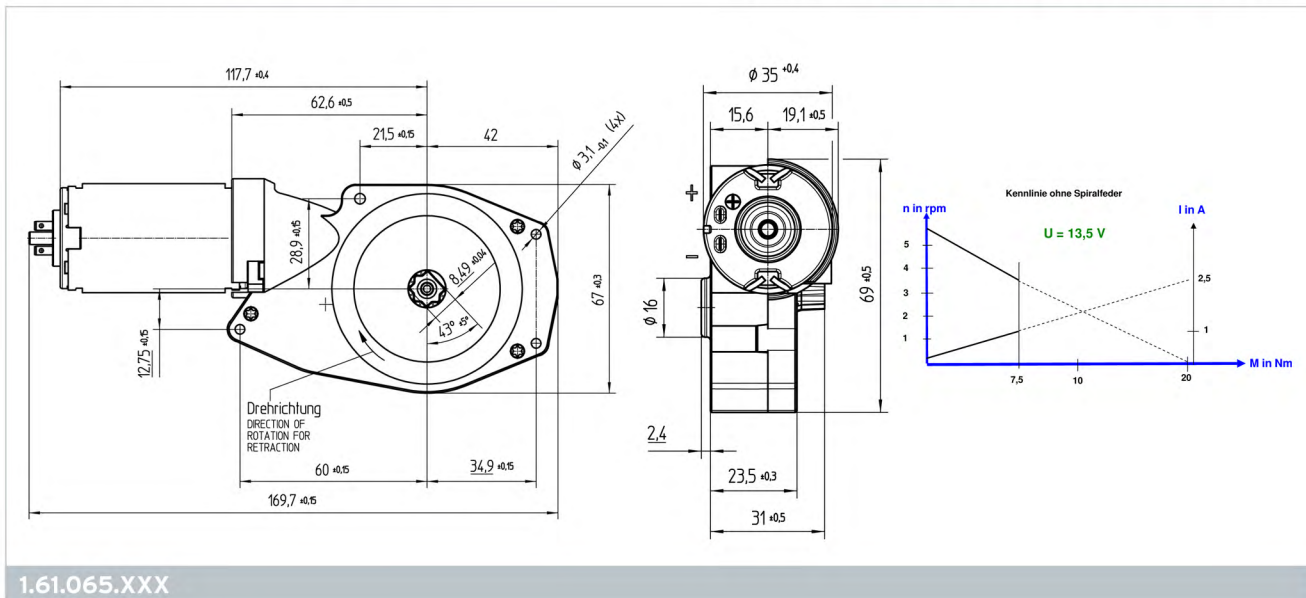
Operating Voltage Range VDC	9 - 18 V
Operating Voltage	13,5 V
Load Current	< 0,5 A
Maximum torque duration	7,5 Nm
Rated	3,5 1/min
Rated Current	< 1 A
Operating angle of rotation	140 °
Electrical Interface Tabs	2,8 x 0,5 mm



1.61.065.XXX

WITH LIMITED OUTPUT ANGLE AND SPIRAL SPRING

In the integrated motor overload protection
Gearbox with internal spiral spring spring



1.61.065.XXX

Customized versions

The following modifications are available upon request:

- ▶ Encoder or incremental encoder
- ▶ Speed adjustment through winding change
- ▶ Lead sets
- ▶ Shaft length
- ▶ Shaft configuration (flat, grooved, etc.)
- ▶ Drive configuration
- ▶ Adapters and mounting plates
- ▶ Gear ratios $i=6.4 / 10.2 / 2132$ and 4406 on request