

N20/30

FF030

RF130

BLDC

1632

FF130

FF180

RF500

RF300

RF310

094

BLDC

2035

370

2418

2430

385

2838

395

30-C

32-C

40-C

32ZY13

32ZY25

520

BLDC

520

380

555

BLDC

3640

775

38S

BLDC

38S

45S

BLDC

45S

50S

BLDC

50S

60S

BLDC

60S

80S

稳压器

同步

电机

永磁

直流电机

交流

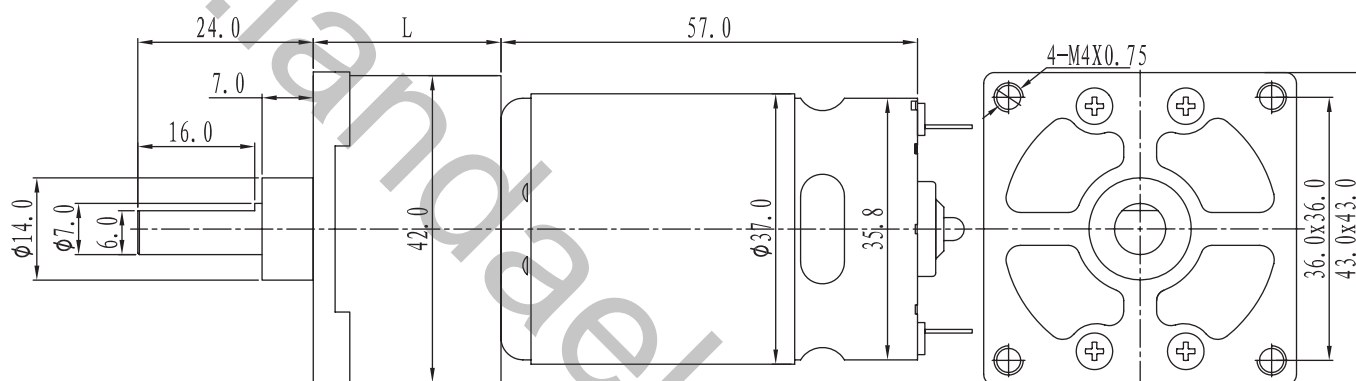
可逆电机

ZGA42FH(A7038)

Housing Material	Zinc-Steel
Bearing	Sleeve Bearing
Radial Force	≤ 1 kgf
Axial Force	≤ 0.7 kgf
Max.Axial Pressing Force	≤ 5 kgf
Radial Play	≤ 0.1 mm
Axial Play	≤ 0.5 mm



Dimension(mm)



Specifications

DC Motor	Reduction Ratio	1/8.3	1/18.2	1/22.2	1/27.3	1/59	1/72.9	1/158
ZYTD-555 (12V-3700R)	Noload(r/min)	450	205	170	140	63	51	24
	Onload(r/min)	375	170	140	110	53	43	21
	Onload Torque(kgf.cm)	1.1	2.1	2.6	3.2	6.5	8.2	12
ZYTD-555 (24V-5300R)	Noload(r/min)	650	300	240	200	91	74	34
	Onload(r/min)	540	245	200	165	77	65	31
	Onload Torque(kgf.cm)	1.5	3.1	3.8	4.7	9	9	12
Default Direction		CW	CCW		CW		CCW	

Gearbox Specifications

Reduction Ratio	L	Stages	Allowable Torque	
	mm		mN.m	kgf.cm
1/8.3	29.7	3	392	4
1/18.2~1/27.3	29.7	4	686	7
1/59~1/72.9	33.5	5	882	9
1/158	36.7	6	1176	12